

RPT

Remote Pressure Transducer



General description

The RPT is a remotely addressable pressure transducer that allows to monitor the absolute air pressure along pressured telephone cables.

The high resolution of 0.5% in the range of 800-2000 mbar helps to detect and locate a leaks even in presence of small pressure variations.

Its small size allows RPT to be easily placed in cable joints.

Thick film hybrid technology provides high accuracy and stable characteristics.

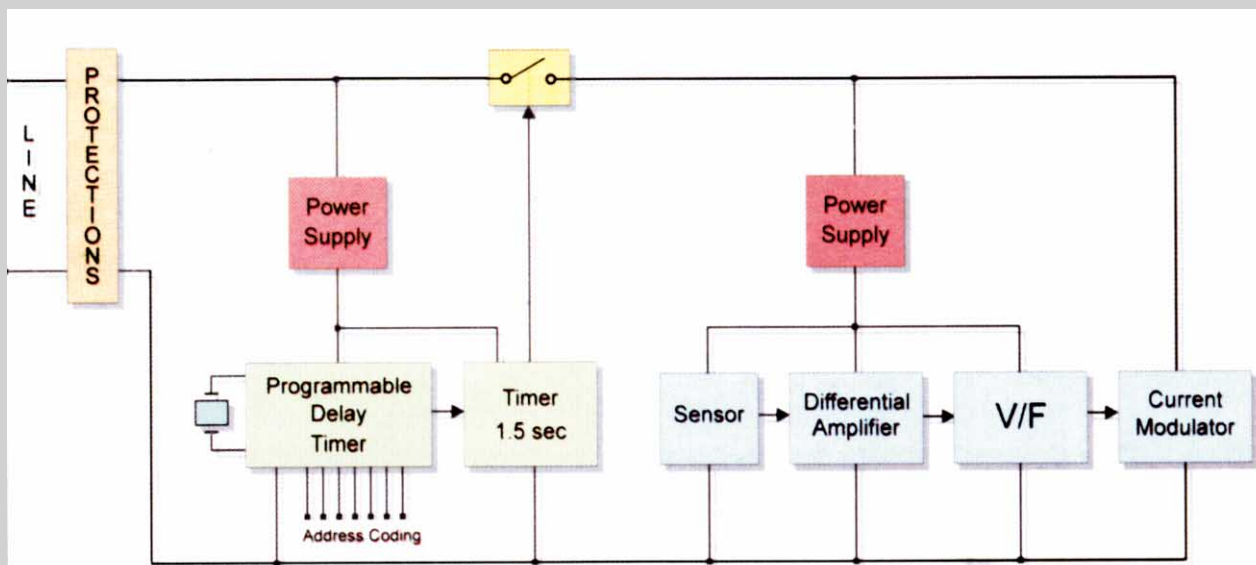
Applications

- Pressure monitoring in pressurized cables
- Industrial applications

Features

- Telecom Italia Certified : spec. N.1239
- High Resolution
- High Accuracy

BLOCK DIAGRAM



Electrical Characteristics

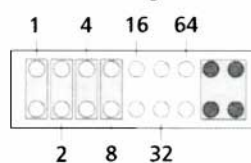
CHARACTERISTICS		MIN	TYP	MAX	UNIT
V _{cc}	Supply Voltage	20		120	VDC
I _w	Working Current	5	6	7	mA
I _{sb}	Stand-by current	45	55	95	uA
P _r	Pressure Measurement Range	800		2000	hPa
F _r	Modulation Frequency Range	800		2000	Hz
	Freq.Variation vs Pressure Change		1		Hz/hPa
A _s	Amplitude of the modulating signal	-1		1	dBm
	Accuracy (full scale)		+/- 0.5	+/- 0.8	%
	Temperature Deviation		+/- 0.02		%/°C
Top	Operating Temperature Range	-20		+80	°C

Mechanical Dimensions

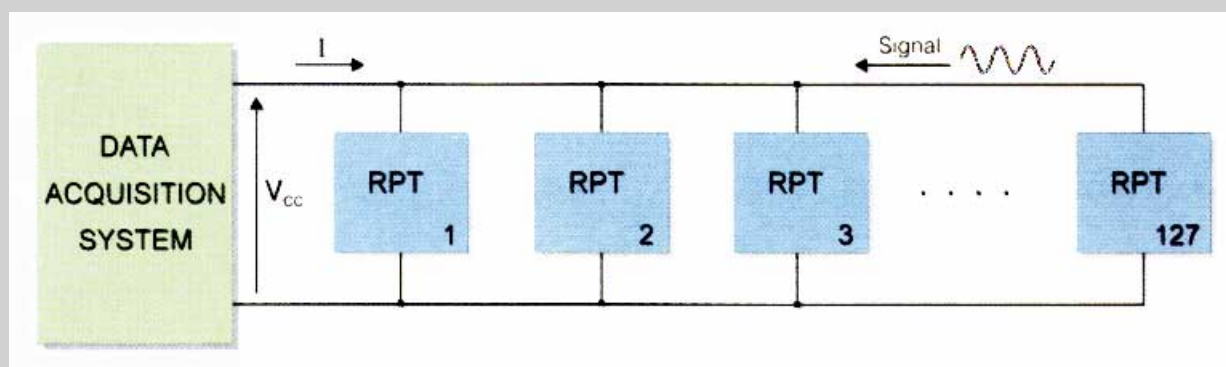
L x W x T = 94 x 36 x 18 mm



Address coding connector



TYPICAL APPLICATION



HEAD OFFICE & PLANT

Via Naz. delle Puglie, 177
80026 Casoria (NA), Italy
Tel: +39 081 759 90 33
Fax: +39 081 759 64 94

Web Site : www.telecontrolli.com